

Modular examples, see next page for modular components

FRAME:

SEAT SUSPENSION:

SEAT CUSHION:

BACK CUSHION:

LEGS:

Kiln dried plantation timber

Warwick Blackcat webbing suspension

High resilience foam with 10 Year Guarantee

Feather back cushion

Hidden nylon glides

10 YEAR GUARANTEE



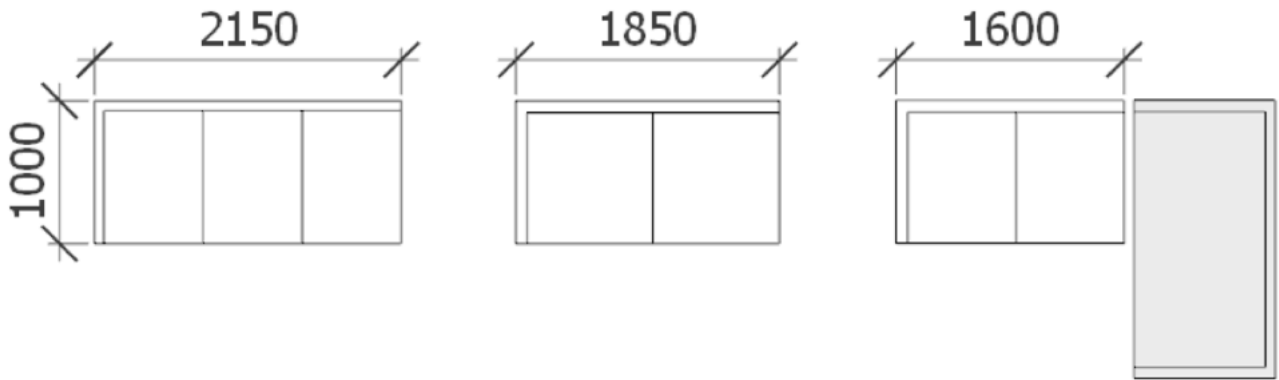
181 Leura Mall, LEURA NSW 2785

Phone: (02) 4787 6114

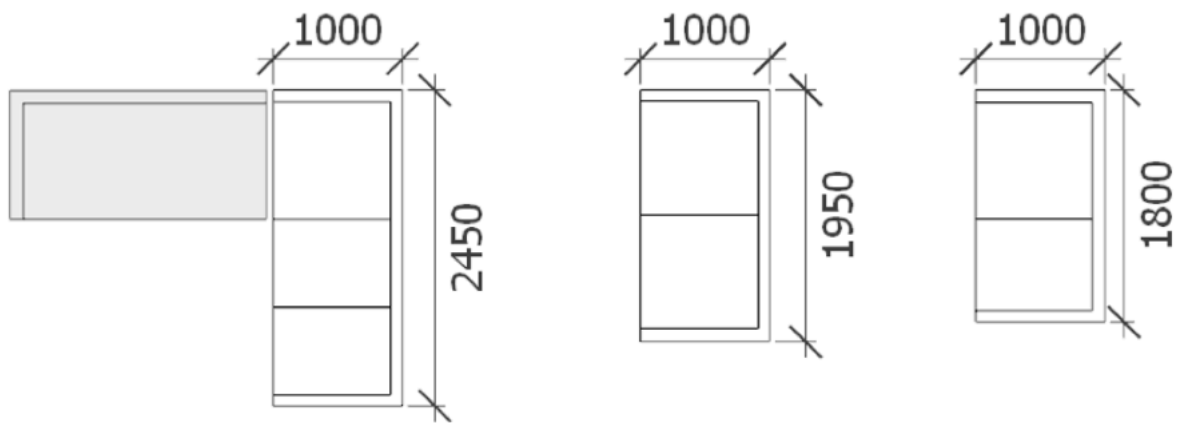
Email: info@labellacasa.com.au

Website: www.labellacasa.com.au

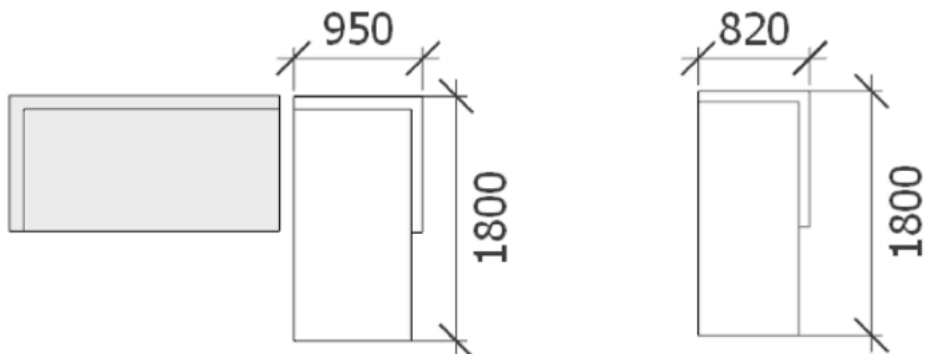
Sofa with one arm:



Sofa with corner return:



Chaise:



*Custom sizes available

*Please note that dimensions are approximate.